

Conventional Analogue Vet X-Ray system
Model Simply-Plus
Basic Configuration

Basic Mechanical Structure	Main Features	<ul style="list-style-type: none"> • Strong and robust Main Structure: (painted metal and integrated electronics) • Touch screen control in the tube head support • Tabletop: 160 cm (base) 4 way floating • Silent and smooth mechanical brake • Self centring cassette support (18x24 to 43x43) • removable support for X-Ray grid (Grid not included in basic configuration)
32 kW UNIT	X-Ray generator and Monoblock	<ul style="list-style-type: none"> • High Frequency Monoblock • Maximum power: 32 kW (320 mA - 100 kV @ 100 msec) • Maximum voltage: 125 kV • Maximum mAs: 320 mAs • Maximum mA: 400 mA • Monobloc thermal capacity: 720 kJ (960 kHU) • Monobloc maximum thermal dissipation: 85 W • Frequency: 40 kHz • kV ripple: < 2% • Leakage radiation (IEC 601-1-3): < 1 mGy / h • Total filtration: > 2.5 mm Al @ 75 kV
	X-Ray Insert	<ul style="list-style-type: none"> • Rotating X-ray tube • Focal spot size: 0.6 mm - 1.3 mm • Maximum voltage: 130 kV • Anode speed: 3000 r.p.m. • Anode angle: 15° • Anode maximum heat dissipation: 80 kJ (107 kHU) • Maximum continuous anode heat

		dissipation: 300 W
	Control console	<ul style="list-style-type: none"> • Microprocessor controller console • Display: <ul style="list-style-type: none"> ○ Type: 8" Colour touch screen display ○ Resolution: 800 × 600 pixels • Alarm: <ul style="list-style-type: none"> ○ Acoustic and luminous X-ray emission alarm • APR (Pre set Anatomical Programs) <ul style="list-style-type: none"> ○ 3 Mode (Dog — Cat — Exotic animals). Selectable by animal's thickness or weight • Film screen selection: 3 speeds • Languages available: Over 10 different languages. Most common: <ul style="list-style-type: none"> ○ Italian ○ English ○ Spanish ○ French ○ Portuguese
	Safety and Protection	<ul style="list-style-type: none"> • Automatic control and protection of the filament current • Over current protection • Overvoltage protection • X-ray tube overload protection • Monobloc kHU automatic survey (kHU%) • Errors alarms with language description
Collimator:	Manual collimator	<ul style="list-style-type: none"> • Adjustment from 0x0 to 43x43 cm • High intensity lamp (170 lux +/- 30%) for X-ray field simulation and automatic switch off. • Retractable tape
Operation Mode	3-point operation (kV – mA – time)	<ul style="list-style-type: none"> • kV selection: from 40 to 125 kV [1kV step]
	2-point operation (kV – mAs)	<ul style="list-style-type: none"> • mA selection: from 25 mA to 400 mA [13 steps] • Time selection: from 3 ms to 6300 ms [34 steps] • kVp selection: from 40 kV to 125 kV [1 kV step]

ARCOM

INTERNATIONAL

		<ul style="list-style-type: none"> mAs selection: from 0.1 mAs to 320 mAs [36 steps]
Exposure control	Exposure control	<ul style="list-style-type: none"> Two step pedal
Power Supply	Voltage: 230 Vac Single phase (115Vac Single phase on request)	<ul style="list-style-type: none"> Frequency: 50/60 Hz Current consumption: 16 A max. Total line resistance: 0.40 Ohm max. Automatic line compensation: $\pm 10\%$
Optional	Optional And Accesosries	<ul style="list-style-type: none"> Cleats \ rope ties to stabilize the patient Tabletop length on demand Inclined plane for myelographic exams. 60°Inclination with integrated lateral cassette support (for latero lateral projection) Variable focal distance 0 to 100 cm Rotation of x-ray source ($\pm 90^\circ$) Removable Grid 103L", R10:1, FFD 100 cm

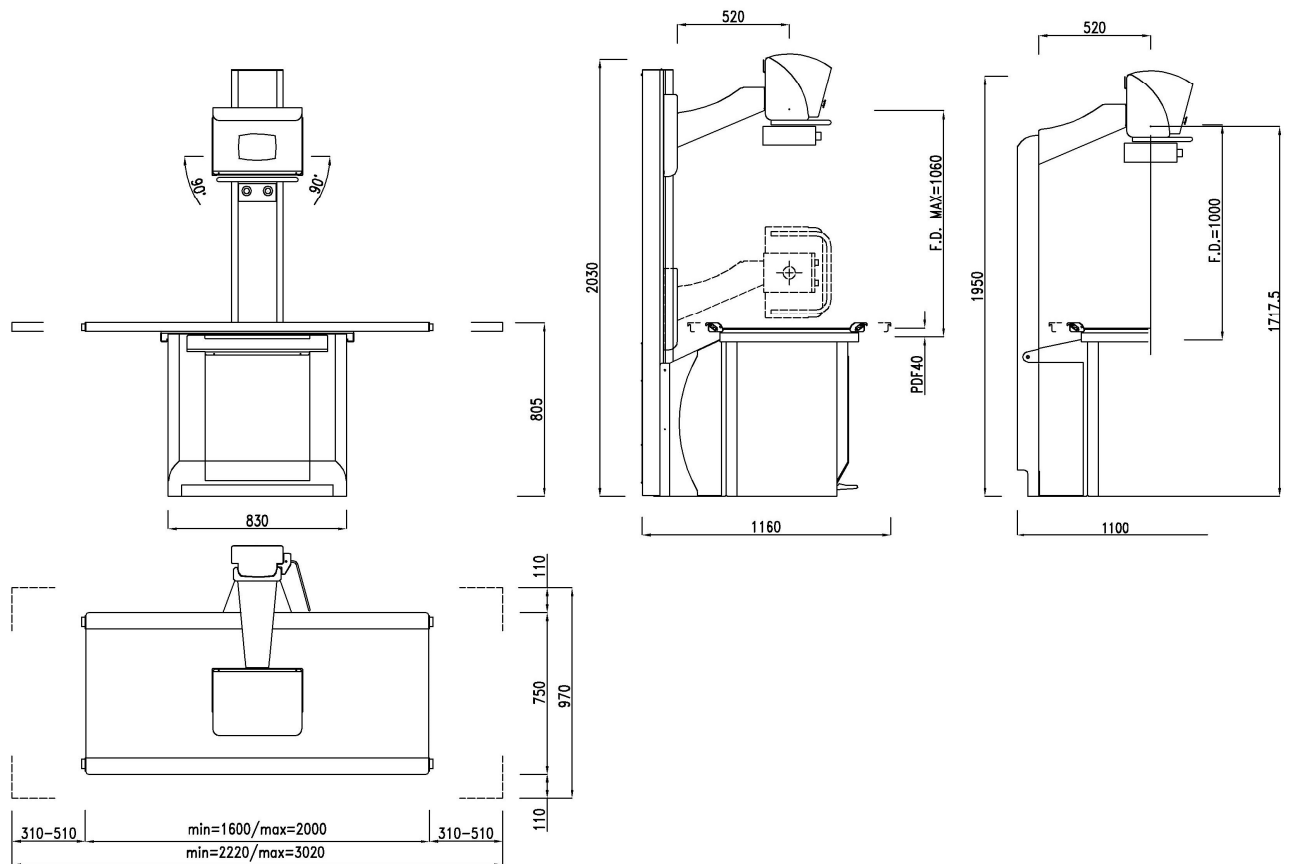
ARCOM INTERNATIONAL S.R.L.

Via Marzabotto, 21/23
20871 Vimercate (MB) - Italy
Tel: +39 039 6080443 Fax: +39 039 6082557
www.arcomonline.com info@arcomonline.com



Registro Imprese MB 09920720969
R.E.A. MB - 1913036
VAT Number/Partita IVA IT 09920720969
Codice Fiscale 09920720969
Capitale Sociale € 100.000,00

ARCOM INTERNATIONAL



Vimercate,
30 November 2017

ARCOM INTERNATIONAL S.R.L.

Via Marzabotto, 21/23
20871 Vimercate (MB) - Italy
Tel: +39 039 6080443 Fax: +39 039 6082557
www.arcomonline.com info@arcomonline.com



Registro Imprese MB 09920720969
R.E.A. MB - 1913036
VAT Number/Partita IVA IT 09920720969
Codice Fiscale 09920720969
Capitale Sociale € 100.000,00